

# ECORAY

ECORAY Co., LTD.

#714~716 ForHu B/D, 58, Wangsimni-ro, Seongdong-gu, Seoul, Korea  
Factory : 60-10, Nanosandan 5-ro, Nam-myeon, Jangseong-gun, Jeollanam-do, Korea  
Tel : +82 70 7510 3400 Fax : +82 70 8630 3420 Email : info@ecoray.kr / info@ecoviewmedical.com

www.ecoray.kr  
www.ecoviewmedical.com

## YOUR RAD ROOM SOLUTION

Conventional / Digital Radiographic System

# ECORAY

# HF-525 PLUS RADIOGRAPHIC X-RAY SYSTEM

The unified design with fine image performance...

A well-established radiographic X-ray system, its ergonomic and durable mechanism provides smooth, quick, and easy operation to ensure reliable examinations in your RAD room.



HF-525PLUS, Auto-Tracking move system.  
Synchronized move between x-ray tube and table bucky, wall stand bucky.  
Automatic collimation.

## HF-525Plus - Your advanced medical solution

- \* Floor mounted tube stand with goniometer (optional - LCD touch screen on Tube head)
- \* Ceiling suspended tube stand (optional)
- \* 4way floating top table (10:1 oscillating grid included)
- \* 6way elevating table (optional)
- \* LED type collimator with 4 leaf shutter (optional laser alignment, tape measure)
- \* Automatic collimator - optional (auto shutter control from SID changes, auto filter change by kV selection)
- \* Variable choices of OP console (standard FND type, optional LCD, touch)
- \* High frequency inveter generators (different ratings)
- \* Rotating anode tube (standard from Canon)
- \* Optional AEC, DAP and other functions according to customer's request
- \* Wall stand (tilting bucky-optional)
- \* Synchronized mechanics (optional)

## Floor mounted Tube Stand

A freestanding and ergonomic design to save installation time and cost. Extended range of motions covering any difficult patient positioning. Effortless and unforced movements by counterbalance and electromagnetic locks to secure at any location.



## 4 Way Floating Table

Light four-way movements for easy patient positioning and efficient workflow. Robust and heavy-duty structure up to 250kg table weight capacity. Foot-controlled electromagnetic locks to flexibly adjust longitudinal and transverse travels. Various cassette size capabilities (5" x 7" to 17" x 17") with a moving bucky tray.



## Handle Bar

Simple and functional configurations with a goniometer or LCD Touch screen for Tube angle, soft touch handgrips and fingertip controls on both sides. Easy to operate longitudinal, vertical and tube rotation.



## Wall Bucky Stand

Advanced application of a back side button for a wide-spread vertical movement. Minimal focal spot to floor distance for a comfortable standing position especially considering patients with physical disabilities. Slim and cutting-edge appearance to accommodate the needs of diverse healthcare providers. Cassette flexibility up to 17" x 17".



## Optional Items

### LCD Touch Screen



- Synchronization with LCD Console to adjust kV, mA, mAs/sec
- LCD Console

### Transverse Movement of Tube Stand



- Transverse travel : 260mm

## Auto tracking system (optional)

### Floor Mounted Tube Stand (Synchro)



- Auto tracking to wall stand (Vertical - Up/Down movement)
- Auto tracking to 6way elevating table top (Vertical movement for SID)

### Ceiling Suspended Tube Stand (Synchro)



- Auto tracking to wall stand (Up & Down)
- Auto tracking to table elevation (Up & Down)

### Ceiling Suspended Tube Stand (Manual)



- Rail size : 3,500 x 2,500 / 4,000 x 3,000 mm
- Tube rotation :  $\pm 180^\circ$
- Vertical travel : 1,500mm

### 6way Elevating Table



- Upgraded table from 4way floating table
- Elevation controlled by motor
- Vertical travel : 500 ~ 800mm

### 4way Floating Bucky Table (Synchro)



- Auto tracking to Tube (bucky follow in horizontal way)

### 6way Elevating Table (Synchro)



- Elevation controlled by motor
- Auto tracking to wall stand (Vertical - Up/Down movement)
- Auto tracking to 6way elevating table top (Vertical movement for SID)

### Tilting Bucky Device



- Tilting function :  $-20^\circ \sim +90^\circ$

### Motorized Upright Stand (Synchro)



- Auto tracking to tube (Up & Down)

### Tilting Bucky Device (Synchro)



- Tilting function :  $-20^\circ \sim +90^\circ$
- Auto tracking to tube (Up/Down vertical way)

## High Frequency Generators



32kW / 40kW / 50kW (630mA)



32kW / 40kW  
Super Capacitor Bank  
(PSU Generator)



50kW (800mA)/65kW/80kW  
(Max. 500kHz Frequency)

## OP Console



FnD OP Console



LCD OP Console

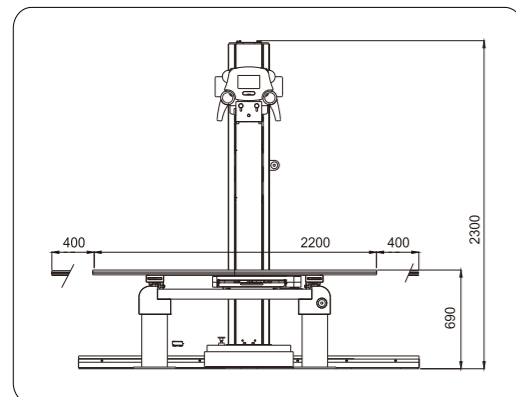


LCD Touch Screen  
OP Console

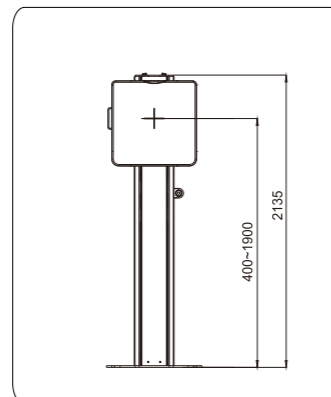


LCD OP Console  
for Max. 500kHz Frequency HFG

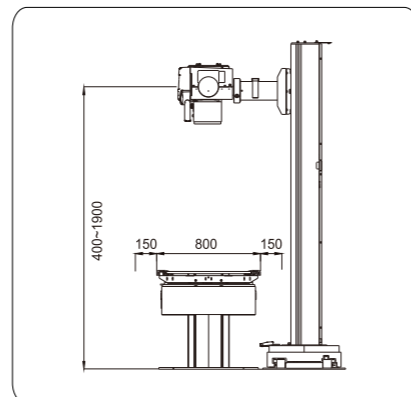
## Front view Dimension



## Wall Bucky Dimension



## Side view Dimension



## ECORAY HF Generators

ECORAY offers a large variety of generator solutions for your radiographic X-ray system. ECORAY has 25 years of experience in manufacturing HF generators. We provide steady and durable performance in your rad room.



Category / Range		32kW	40kW	50kW	65kW	80kW	
Generator	Type	High Frequency Inverter Type					
	Max. mA/kV	400mA/125kV	500mA/125kV	630mA/150kV	800mA/150kV	800mA/150kV	1,000mA/150kV
	Max. rating	400mA @ 80kV	500mA @ 80kV	630mA @ 75kV	800mA @ 62kV	800mA @ 81kV	1,000mA @ 80kV
	mAs range	0.1~400mAs	0.1~500mAs	0.1~630mAs	0.1~800mAs	0.1~800mAs	0.1~1,000mAs
	Exposure Time	0.001~6sec (81 steps)					
	APR	288 APR		1,290 APR			
	AEC	3-field ionization chamber(s) with AEC board (optional)					
	OP console	FnD type (standard) / LCD or Touch Screen console (optional)					
	Line voltage & phase	220VAC 50/60Hz single phase		380VAC 50/60Hz three phases			
	Tube	Type	Rotating Anode Tube				
Anode heat storage		140kHU (standard) / 300kHU (optional)		300kHU (standard) / 400kHU (optional) / 600kHU (optional)			
Dual Focal spots		1.0/2.0mm (standard) / 0.6/1.2mm (optional)		0.6/1.2mm			
Max. mA/kV		500mA/125kV		700mA/150kV	1,000mA/150kV (with high speed rotor function)		
Target angle		16° (standard) / 12° (optional)		12°			
Collimator		Manual type with LED lamp and 30 sec timer					
Tube Stand	Type	Floor mounted					
	Longitudinal travel	200cm					
	Transverse travel	26cm (optional)					
	Vertical travel	150cm (40cm~190cm from floor level)					
Bucky Table	Type	4way floating top table					
	Longitudinal travel	80cm					
	Transverse travel	30cm					
	Max. loading	250kg					
	Grid	10:1 Oscillating grid (103lines/inch)					
	Cassette tray	Max. 17 x 17 inch					
Wall bucky Stand	Type	Floor mounted					
	Vertical travel	150cm (40cm~190cm from floor level)					
	Grid	10:1 Oscillating grid (103lines/inch)					
	Cassette tray	Max. 17 x 17 inch					
Options	AEC	3-field ionization chamber(s) with AEC board (16 steps density adjustment)					
	High speed rotor	-		High speed board			
	PSU (Power Supply Unit)	Super Capacitor bank		-			
	Ceiling suspension	Ceiling suspended tube stand					
	Elevating table	Up/down motorized elevation with 4way floating top table					
	DAP (Dose Area Product)	Dose Area Product chamber					
	Tube head display	kV, mA, mAs/time & tube head angle digital display with LCD touch screen control					

\* Specifications are subject to change.

\* For further details of product data, please contact ECORAY Sales department.

# Digital Acquisition Software – “ECOVIEW”

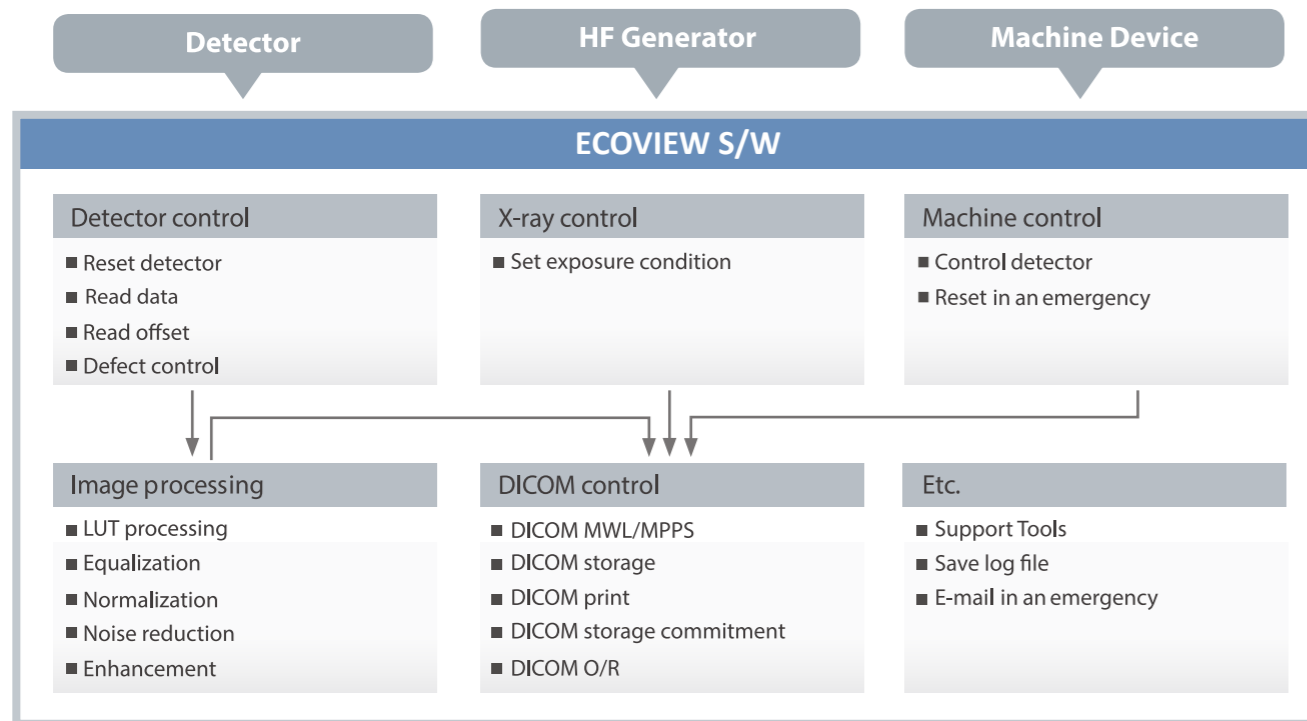
## ECOVIEW DR Console S/W

### Consists

1. Image Processing Engine
2. Main Console viewer  
(Worklist, Browser, Review)
3. DICOM
  - DICOM storage SCU/ Modality Worklist SCU/ Print SCU
  - DICOM Query, Retrieve
  - DICOM Modality Performed Procedure service SCU
  - DICOM Storage Commitment SCU
4. Get parameter Tool

### Features

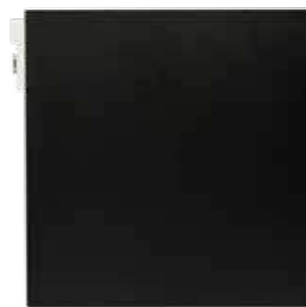
- Control of DICOM**
  - Available DICOM sending multi PACS server in real time
  - Patient CD with image viewer and export various image formats (JPG, BMP, PNG)
- Control of X-ray system**
  - Set x-ray exposure condition
  - Set study position for bucky and tube
- Control of detector**
  - Ready & Read raw data from detector
  - Calibration offset value
  - Monitoring interface to detector
- Local information DB**
  - Study information store and management
  - Control & modify & searching DB
- Pre-Processing**
  - Various contrast equalization
  - Auto Windowing, Noise Reduction, Background filtering
- Post-Processing**
  - Contrast & Edge enhancement
  - Smoothing, Image Frequency filter
- Others**
  - E-mail and store log in an emergency
  - Various image handlings (Rotation, Annotation, Masking, ROI)
  - Merge or separate study or image
  - Backup images to external HDD with image viewer
- Optional functions**
  - SBSC (Software Based Scatter Correction)
  - Chest X-ray AI (AI diagnosis support for Chest images)
  - Noise X AI
  - Bone X AI



PACS server, film printer, CD-ROM, etc by network

## Flat Panel Detector

17\*17”(4343cm) Wired Type



- AED function without connecting to Generator
- Quick image acquisition : 2 sec
- Scintillator : Gadox or Csi

14\*17”(3643cm) Wireless Type



- AED function without connecting to Generator
- Quick image preview : 2 sec
- Fast wireless communication (WiFi) through IEEE 802.11n

Upgrade to true digital flat panel technology

Significantly reduced dead space

Large active area for the image with high image resolution

High compatibility with 3.0 DICOM standard